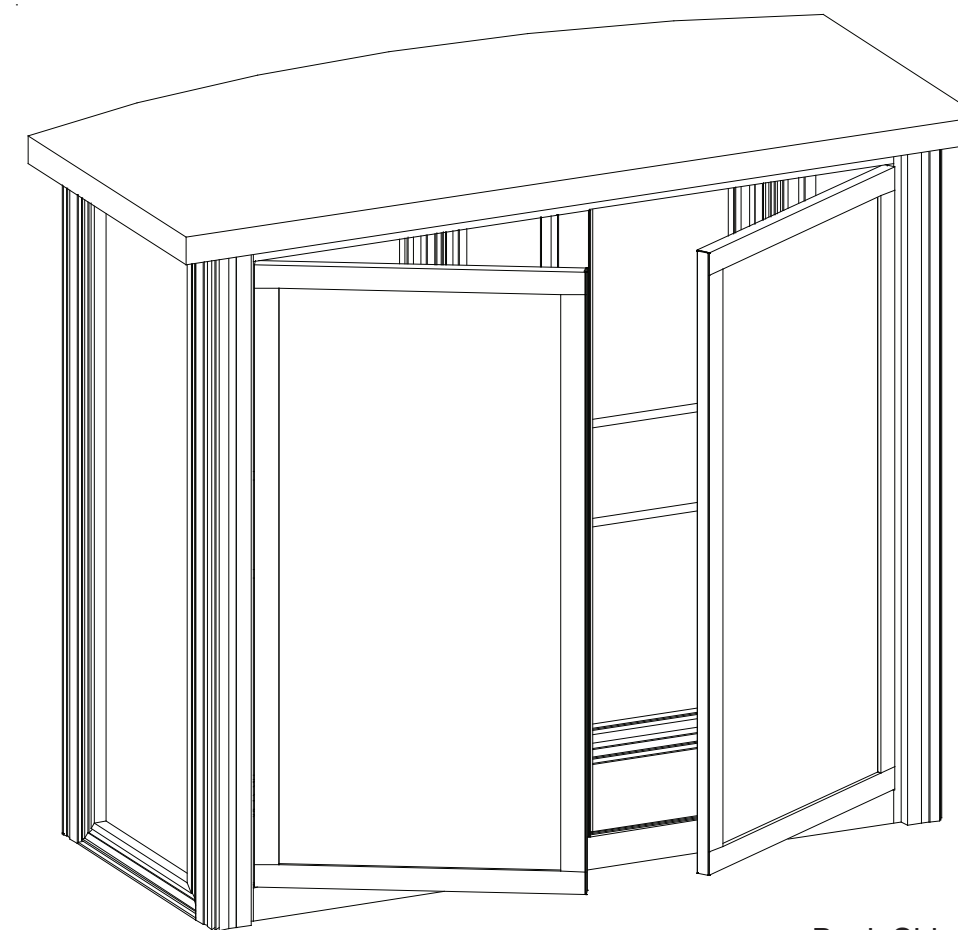


Plan View



Back Side

SETUP INSTRUCTIONS

General Setup Instructions

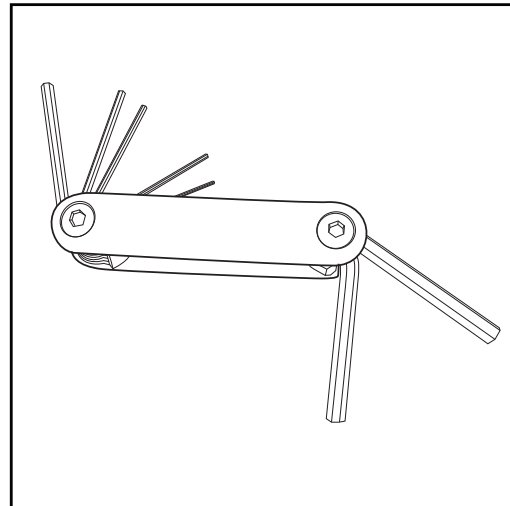
- Read entire setup instruction manual prior to unpacking parts and pieces.
- The setup instructions are created specifically for this configuration.
- Setup instructions are laid out sequentially in steps, including exploded views with detailed explanation for assembly.

Cleaning & Packing

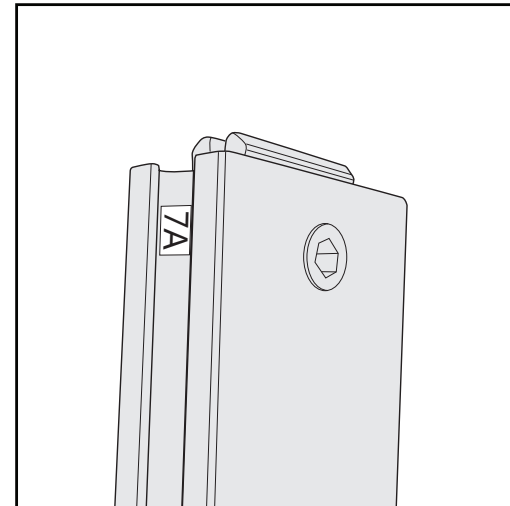
- For Cleaning Metal, Plex, & Laminate Parts: Use a **MILD NON-ABRASIVE** cleanser and soft cloth/paper towel to clean all surfaces.
- Keep exhibit components away from heat and prolonged sun exposure.
Heat and UV exposure will warp and fade components.
- Retain all provided Packing Materials. All provided packing materials are for ease of repacking & component protection.

Disassembly

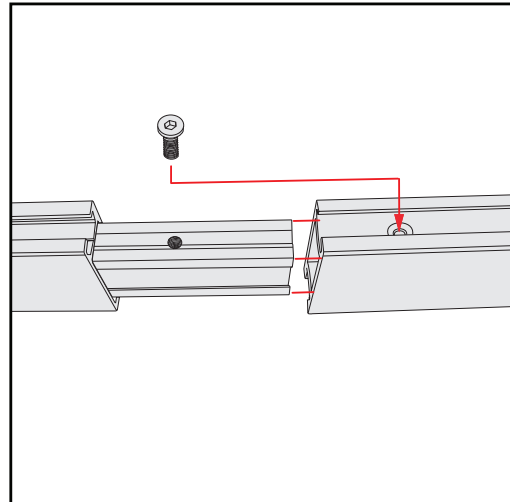
- For loss prevention, tighten all setscrews and locks during disassembly



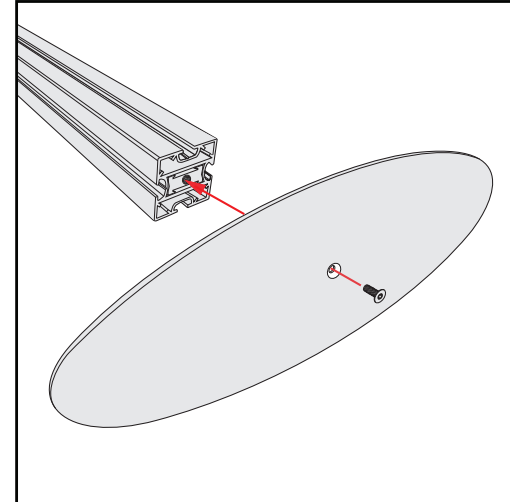
Hex Tool - Essential for Assembly



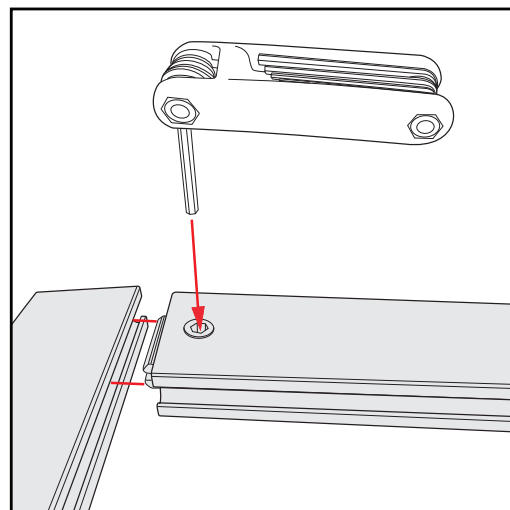
Part Identification - Numbering



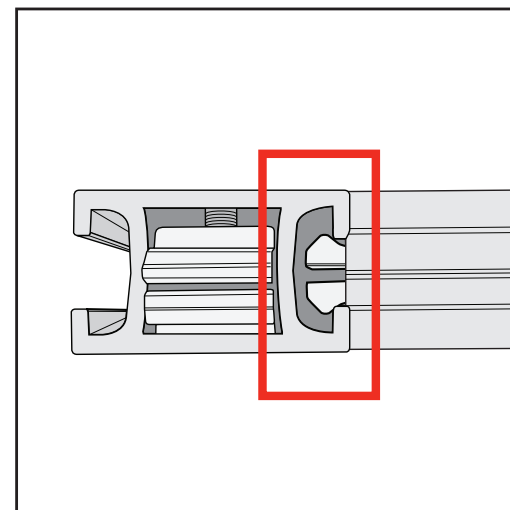
Spline Connection



Base Plate & Extrusion Connection



Extrusion & Lock Connection



Engaged Lock



WARNING



DO NOT USE POWER TOOLS



LADDERS OR LIFTS
MAY BE REQUIRED



ALL CONNECTIONS MUST
BE TIGHTLY SECURED

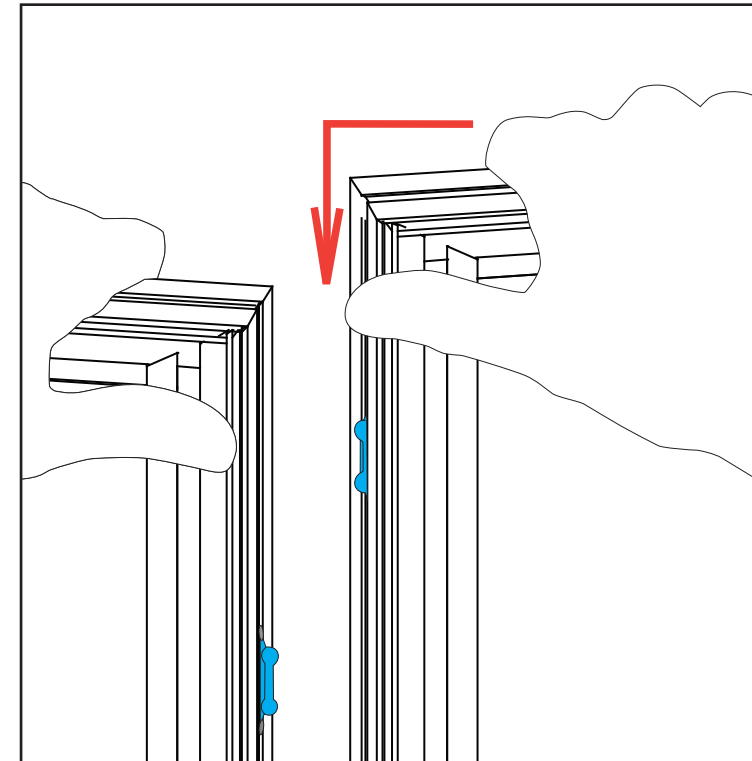
Side-by-Side Assembly

- 1) Frames: Place frames side-by-side with one higher than the other, then slide panel down to lock panels together and in place.
- 2) Corner Connections: Repeat Step 1 for installing corner connections to frames.

Side-by-Side Disassembly

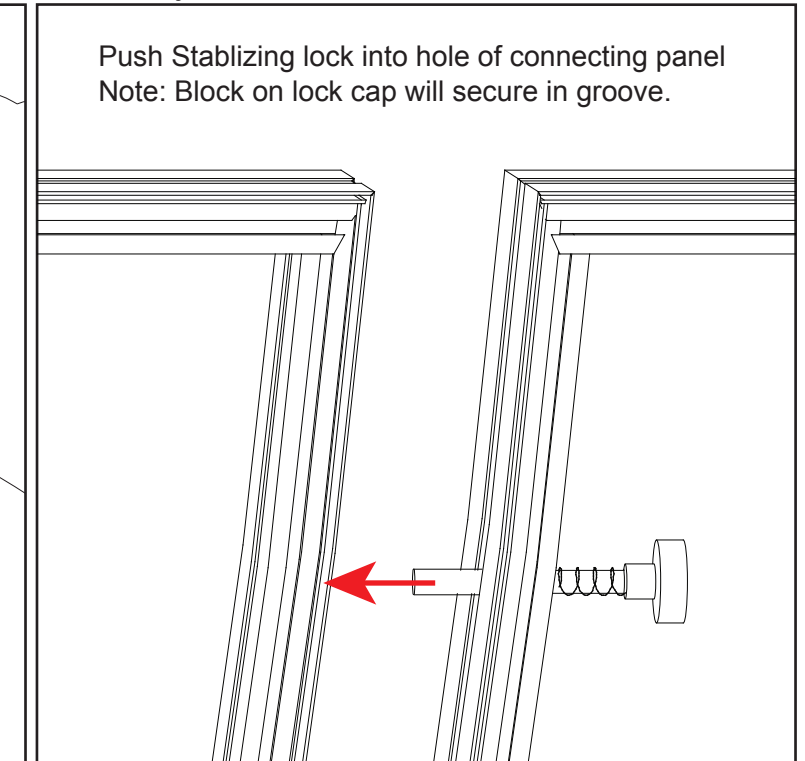
- 1) Push pin lock outwards to disengage pin lock.
- 2) Pull frames upward and apart at the same time.

Assemble



Assembly Cont'd

Push Stabilizing lock into hole of connecting panel
Note: Block on lock cap will secure in groove.



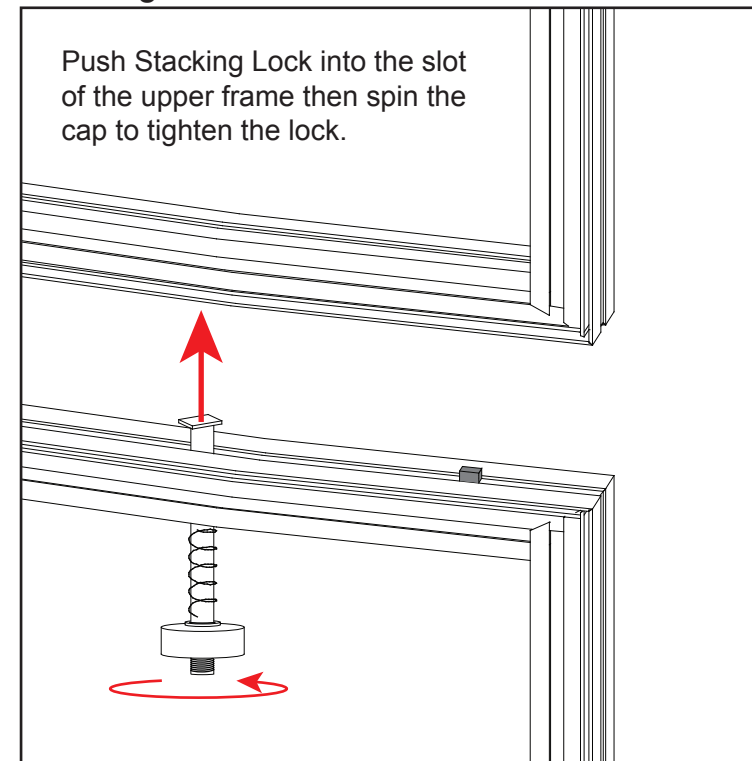
Stacking Assembly

- 1) Place one horizontal frame on top of the other lining up the center grooves.
- 2) Turn the pin clockwise to tighten the stacking lock into place. Repeat for each pin.

Stacking Disassembly

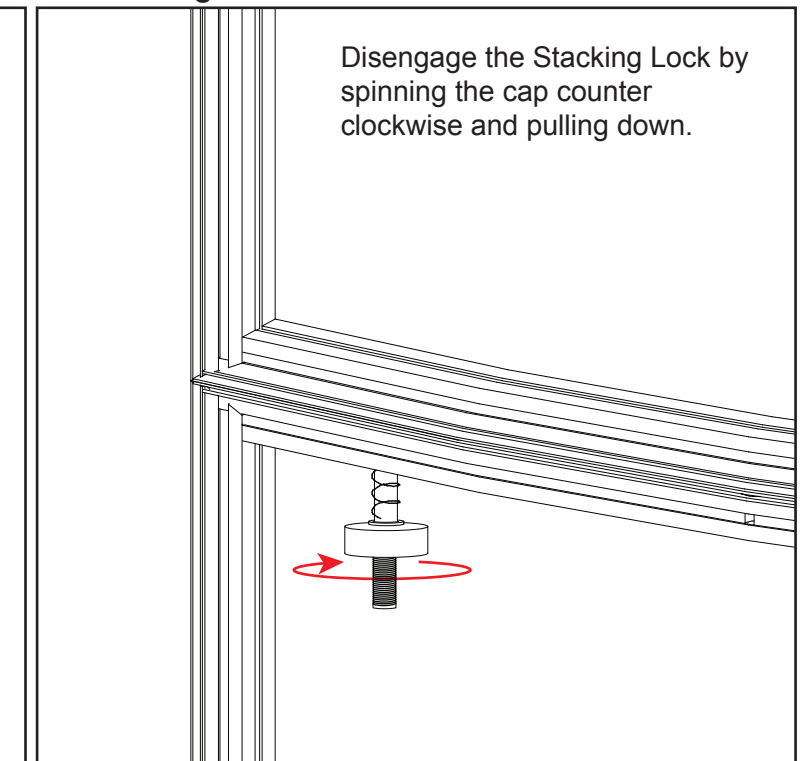
- 1) Turn the stacking lock counter clockwise to loosen the pin.
- 2) The whole spring on the stacking lock should be in view to release each frame. The spring should release the locking pin. If not, turn the pin until it disengages.

Stacking



Unstacking

Disengage the Stacking Lock by spinning the cap counter clockwise and pulling down.

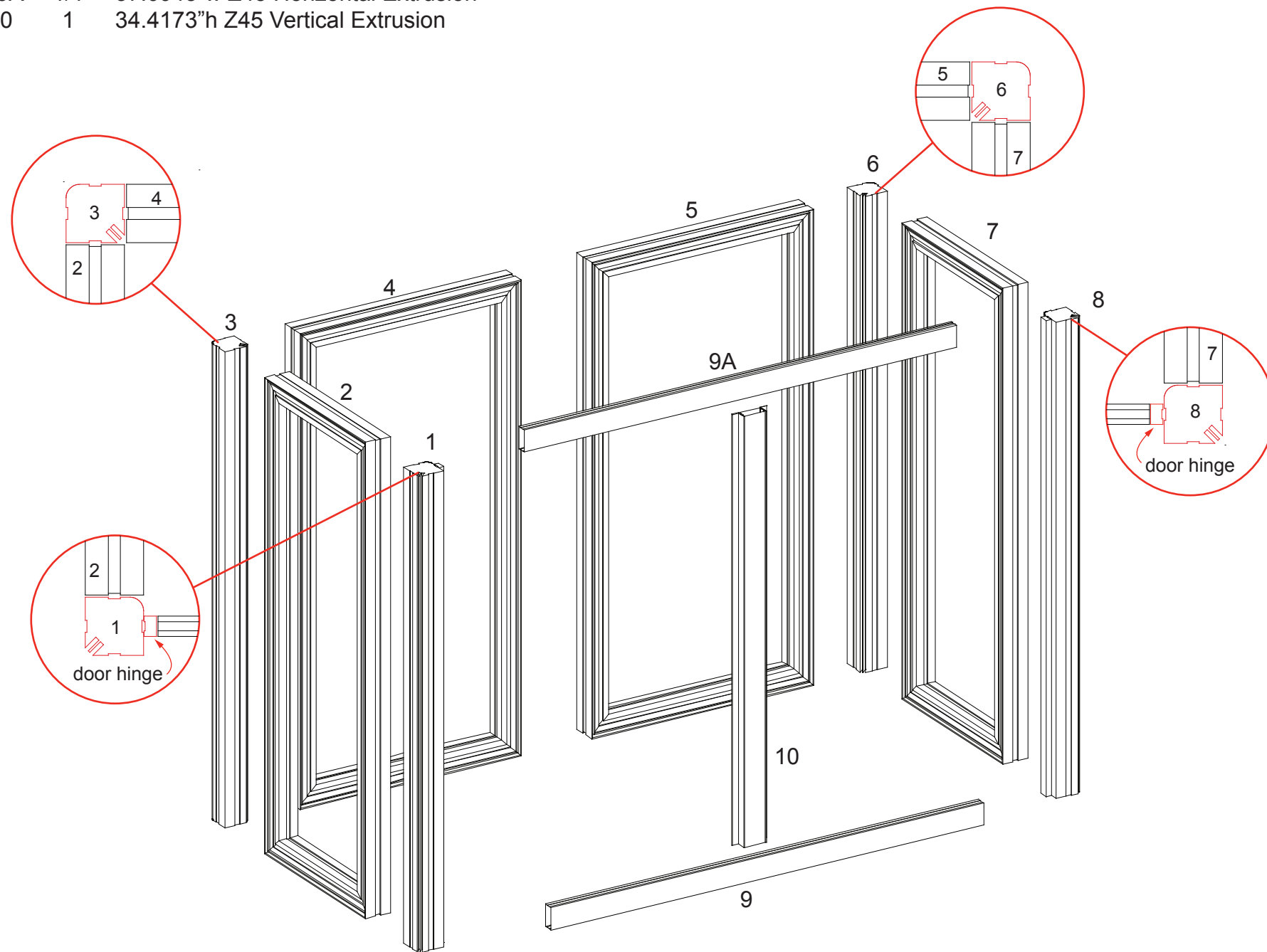
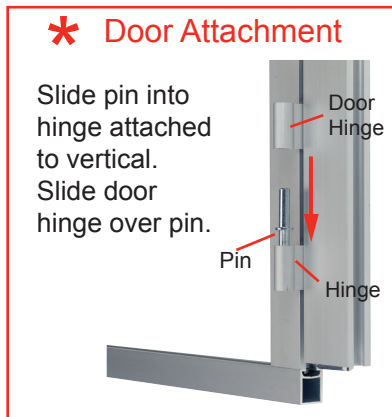


Item	Qty.	Description
1	1	38" h Gravitee Corner Post w/ Door Attachment
2	1	14.125" w x 38" h Gravitee Panel Frame
3	1	38" h Gravitee Corner Post
4	1	19" w x 38" h Gravitee Panel Frame
5	1	19" w x 38" h Gravitee Panel Frame
6	1	38" h Gravitee Corner Post
7	1	14.125" w x 38" h Gravitee Panel Frame
8	1	38" h Gravitee Corner Post w/ Door Attachment
9/9A	1/1	37.0945" w Z45 Horizontal Extrusion
10	1	34.4173" h Z45 Vertical Extrusion

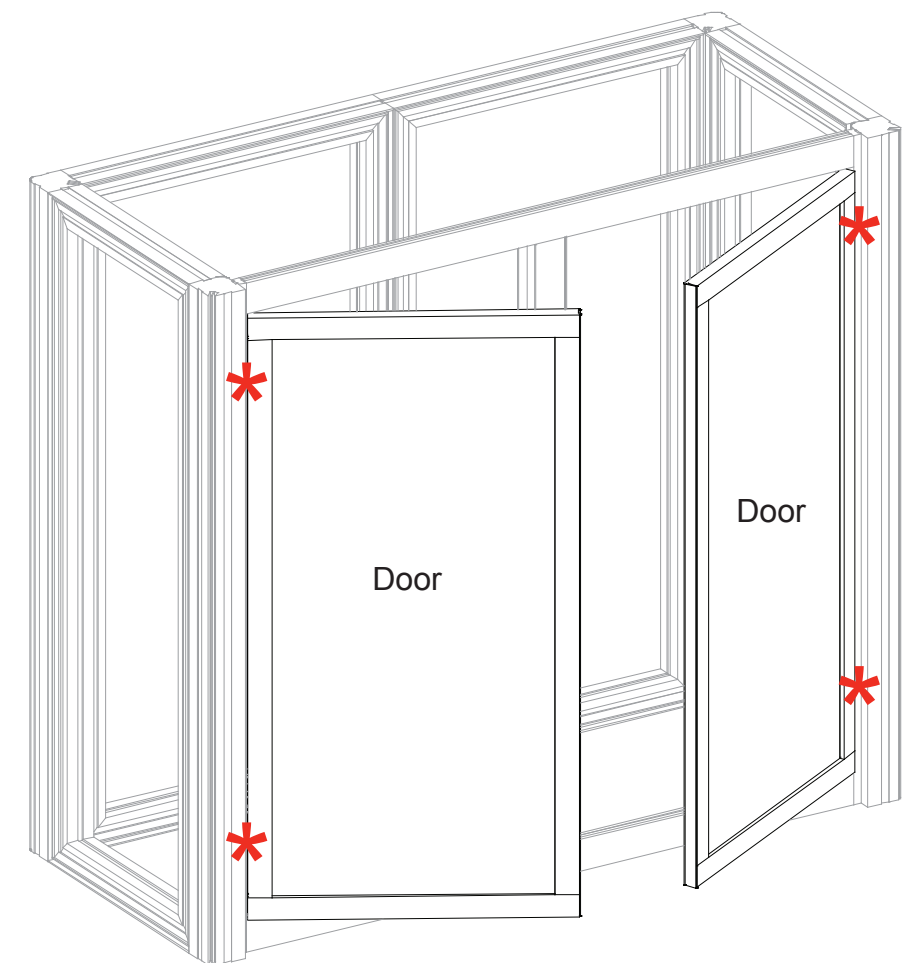
Steps:

Note: See the Gravitee Assembly general information page for proper assembly of Gravitee panels

- 1) Assemble Gravitee panels in numerical order as shown below.
- 2) Attach horizontal extrusions [9] & [9A] between posts [1] & [8].
- 3) Connect vertical [10] between horizontals [9,9A].
- 4) Install Cabinet Doors. See Door Attachment detail.

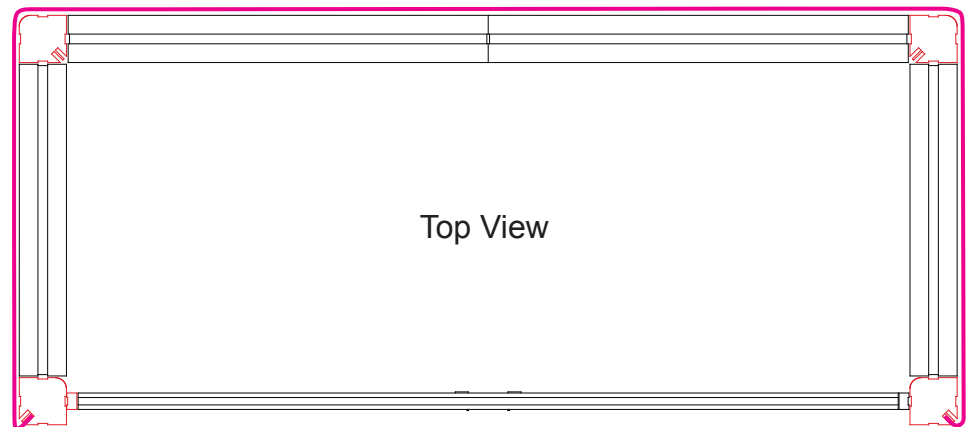


BACK SIDE

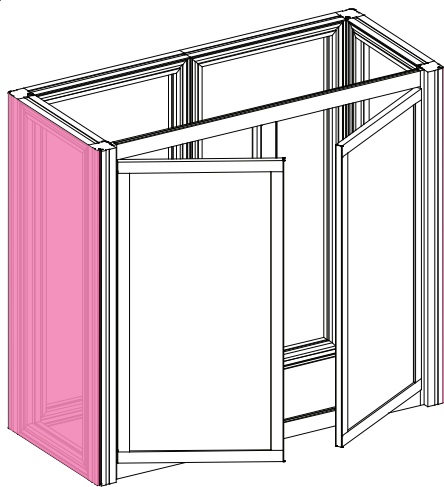


Steps:

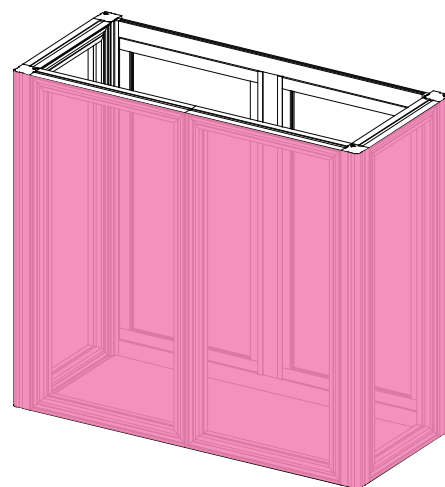
- 1) Wrap SEG Graphic around front & sides of counter as shown.
- 2) Attach internal Shelf Supports using Velcro; place Internal Shelf.
- 3) Place Counter Top on assembly & secure in place.



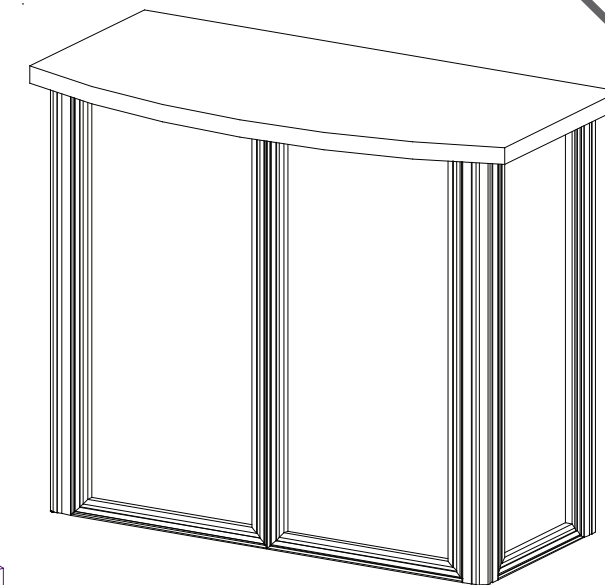
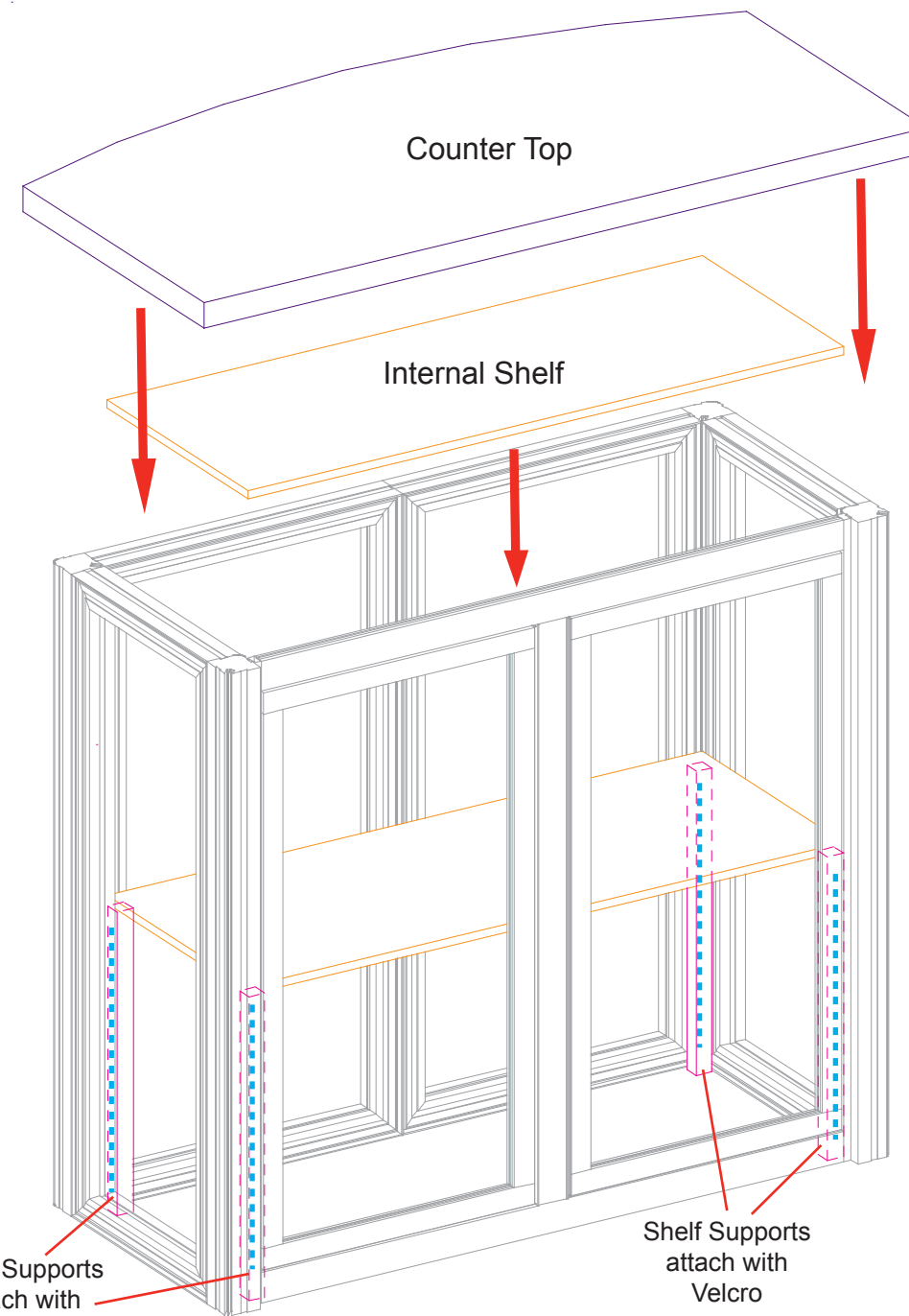
Top View



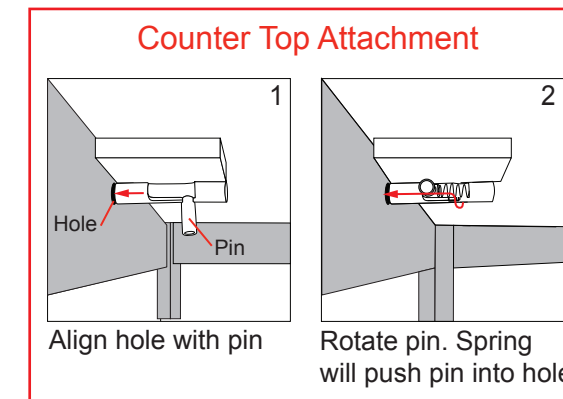
Back View



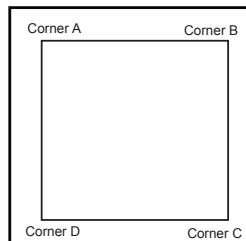
Front View



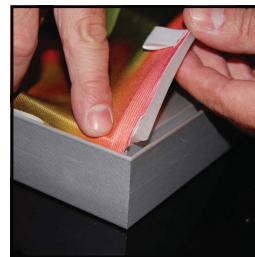
When assembled



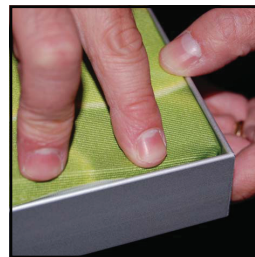
SEG Graphic Installation



It is important to first insert graphic into each alternate corner then to the sides of the frame. If this is not done, graphic will not fit into the frame correctly.



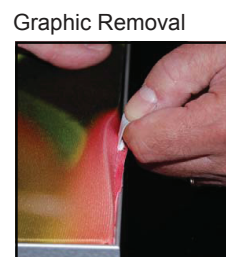
Step 1
Insert corner A. Turn edge of graphic so silicon welt is perpendicular to face of graphic. Insert narrow side of welt with fabric to outside into the channel. Repeat for other side of this corner.



Step 2
Repeat Step 1 for opposite corner C, then insert corner B, followed by corner D, to complete the installation of the corners.



Step 3
Once all corners are inserted, press one silicon edge into channel from corners and work toward the center. Make sure welt is fully inserted into channel. Continue until all sides are done. Smooth out edges of graphic.



Graphic Removal
To remove the graphic from the frame, locate the fabric pull tab. Gently pull up on the tab to remove the fabric.

Shelf Supports attach with Velcro

Shelf Supports attach with Velcro